

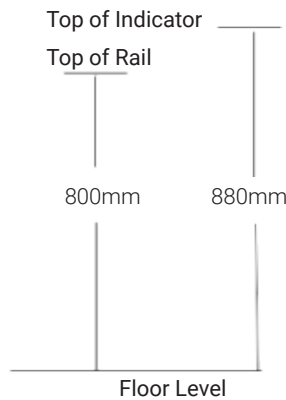
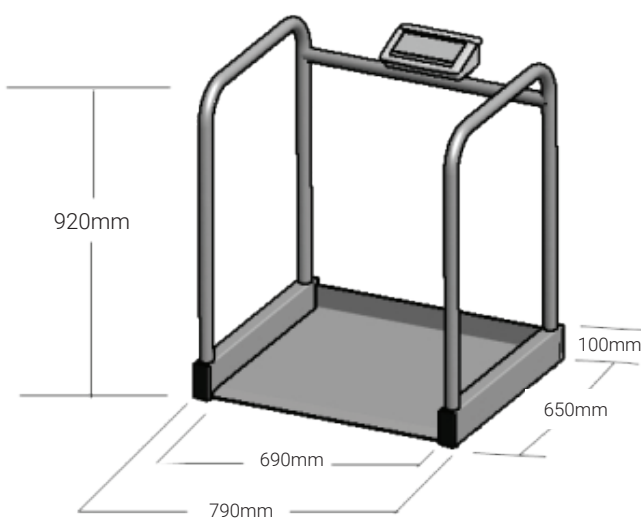
WALK-ON BARIATRIC SCALE

Model: WOBS-300

General Specifications

- Purpose built for bariatric patients
- High capacity platform scale (up to 300kg)
- Strong stainless steel handrails allows for better stability
- Dual powered by AC adaptor or 4 x D cell batteries
- High accuracy of 100g resolution (0.1kg)
- Low profile, safe and non-slip weighing platform
- Easy to operate with numeric keypad

Dimensions (mm)



WOBS-300 SCALE SPECIFICATIONS

Capacity	300kg
Resolution	100g (0.1kg)

* Specifications are subject to change without notice