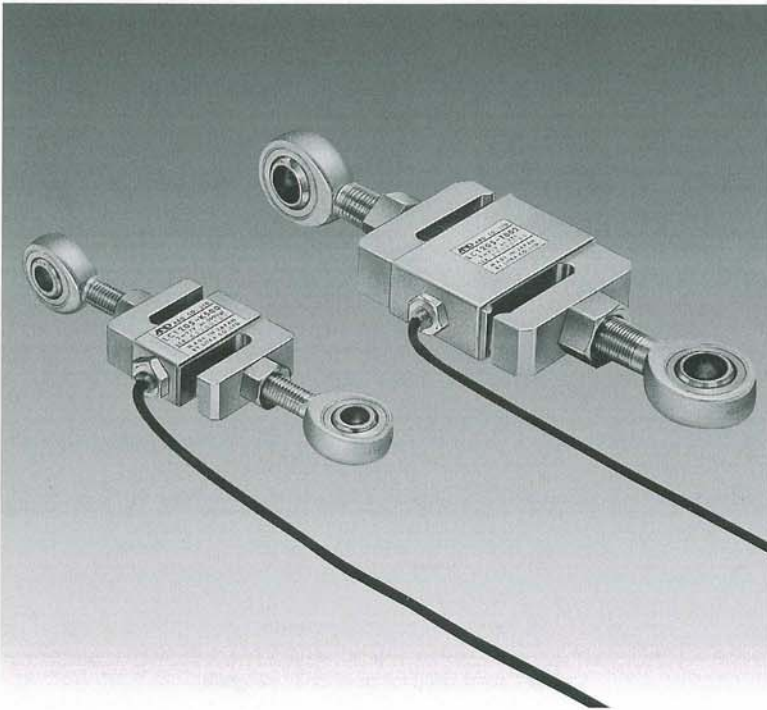


Tension/Compression Load Cells ——— 20kg~5t

6 For general purpose tension, Compression measuring

LC-1205 Series (Aluminum/Tool Steel)



Capacity	Model No.
20kgf*	LC1205-K020
50kgf*	LC1205-K050
100kgf	LC1205-K100
200kgf	LC1205-K200
500kgf	LC1205-K500
1tf	LC1205-T001A
2tf	LC1205-T002
5tf	LC1205-T005

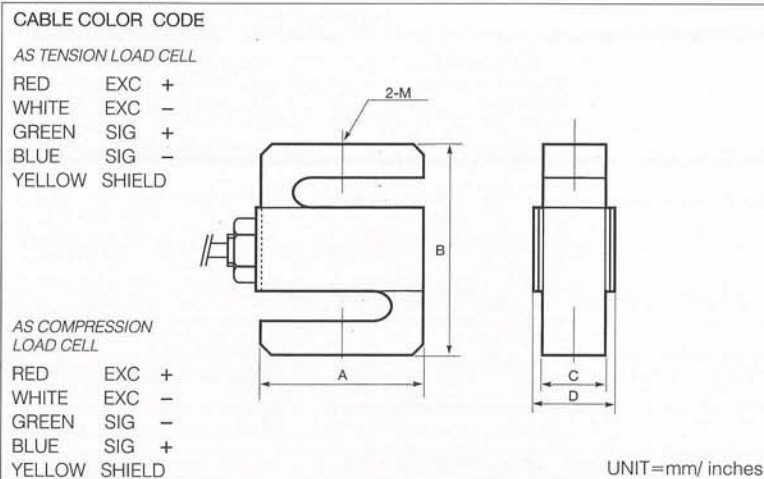
*Aluminum

Features

- Dual guided cantilever and shear beam design for high accuracy
- Compact, lightweight and easy to handle
- Temperature compensation maintains both zero and span from -10°C~+60°C(+14°F~+104°F)
- Moisture proof
- Can be used for multi-point weighing

Specifications

Rated capacities	20kgf, 50kgf, 100kgf, 200kgf, 500kgf, 1tf, 2tf, 5tf
Rated output	2mV/V±0.5% (20kgf, 50kgf- 1.5mV/V±0.5%)
Maximum safe overload	200% of rated capacity
Combined error	±0.02% of rated output
Creep	±0.1% of rated output/hour
Zero balance	±2% of rated output
Compensated temperature range	-10°C~+60°C/+14°F~+104°F
Recommended excitation voltage	12V
Maximum excitation voltage	15V
Input terminal resistance	Approximately 400Ω
Output terminal resistance	350Ω±3.5Ω
Insulation resistance	Greater than 5000MΩ at DC50V
Temperature effect	
-Zero	0.007% of rated output/°C
-Span	0.002% of rated output/°C
Typ.Cable length	3m/118 inches (1,2&5t -5m/197 inches)



Capacity	A	B	C	D	M×P×Depth
LC1205-K020/050	50/1.97"	64/2.52"	19/0.75"	23/0.91"	M6×1/0.04"×11/0.43"
LC1205-K100	50/1.97"	64/2.52"	12/0.47"	16/0.63"	M6×1/0.04"×11/0.39"
LC1205-K200/K500	50/1.97"	64/2.52"	19/0.75"	23/0.91"	M12×1.75/0.07"×10/0.39"
LC1205-T001A	75/2.95"	100/3.94"	24/0.94"	28/1.10"	M18×1.5/0.06"×25/0.98"
LC1205-T002	75/2.95"	100/3.94"	24/0.94"	28/1.10"	M18×1.5/0.06"×22.5/0.89"
LC1205-T005	75/2.95"	100/3.94"	36/1.42"	40/1.57"	M24×2/0.08"×21/0.83"

UNIT=mm/inches