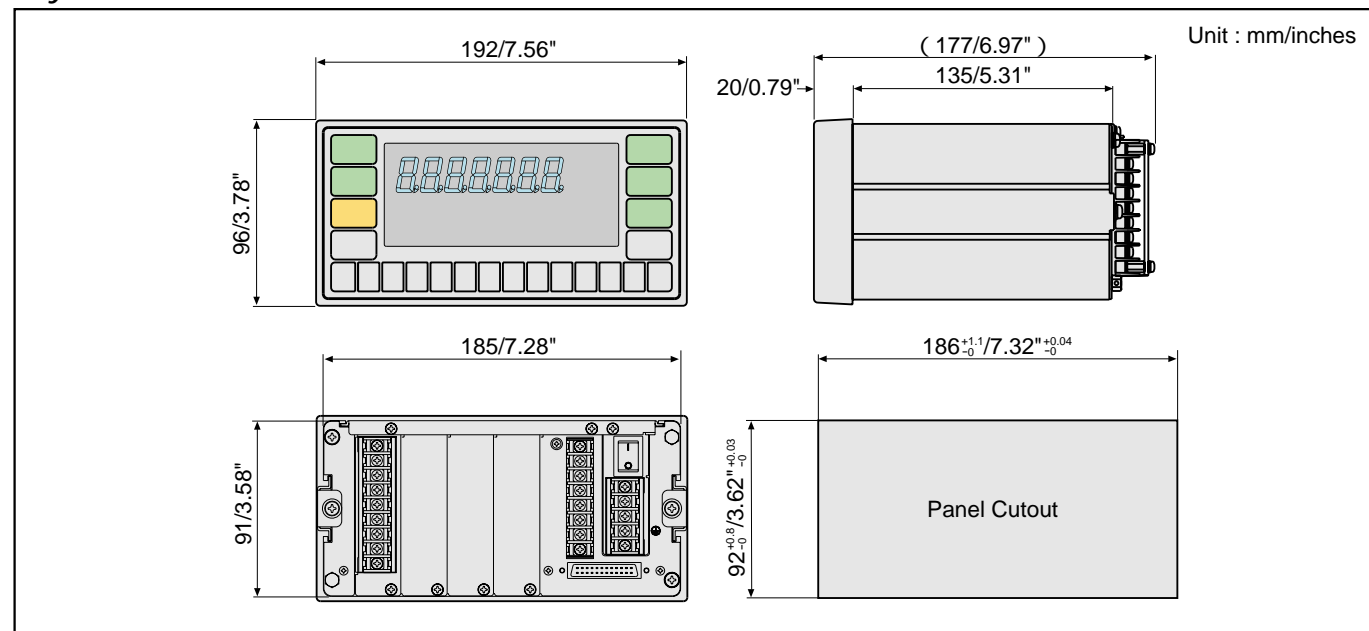


# AD-4404

## Check Weighing Indicator

### Physical Dimensions



### Specifications

#### Analog Input and A/D Conversion

Input Sensitivity — 0.3μV/d  
 Zero Adjustment Range — 0mV – 20mV (0mV/V – 2mV/V)  
 Input Signal Range — 0mV – 32mV (0mV/V – 3.2mV/V)  
 Load Cell Excitation — DC 10V±5% 230mA, Remote Sensing (Up to 8 load cells at 350Ω/load cell)  
 Zero Temperature Coefficient — ±(0.2μV+8ppm of dead load)/°C (typically)  
 Span temperature Coefficient — ±8ppm/°C of reading (typically)  
 Non-Linearity — 0.01% of full scale  
 Input Noise — Less than 0.6μVp-p  
 Input Impedance — 10MΩ or more  
 A/D Conversion method — Delta Sigma  
 A/D Resolution — 1,000,000 counts  
 Maximum display resolution — 16,000 counts (This limitation can be bypassed)  
 A/D Conversion rate — 100 times/sec.

#### Digital Section

Main Display — Blue Fluorescent, 7-segment, 7-digit  
 Character Height: 18mm  
 Subdisplay — Blue Fluorescent, 7-segment (54 digits)  
 /5X7 dots (54 digits)  
 Character Height: 5mm  
 Status Displays/Symbols — 8 displays/10 symbols (5X7 dots)

#### External Input/Output Section

Control I/O — Inputs 11/Outputs 11  
 Standard Serial I/F (Ch.1) — RS-485 (Terminal)  
 Standard Serial I/F (Ch.2) — Current loop (Terminal)

#### General

Power — AC 85V – 250V (50/60Hz)  
 Consumption — Approximately 30VA  
 Operating Temperature — -5 ~ +40°C (23°F – 104°F)  
 Operating Humidity — Less than 85% RH (non-Condensing)  
 Physical Dimensions — 192(W) X 135(D) X 96(H) mm  
 7.56(W) X 5.31(D) X 3.78(H) inches  
 With terminal posts:  
 192(W) X 177(D) X 96(H) mm  
 7.56(W) X 6.97(D) X 3.78(H) inches  
 Panel Cutout Dimensions — 186(W) X 92(H) mm  
 7.32(W) X 3.62(H) inches  
 Net Weight — Approximately 1.8 kg / 4.0 lb

#### Options

OP-01-4402 — BCD Output  
 OP-02-4402 — Relay Output  
 OP-03-4402 — RS-422/RS-485 I/O  
 OP-04-4402 — RS-232C I/O  
 OP-05-4402 — Parallel I/O  
 OP-07-4402 — Analog Output

#### Accessories

AD8118A — Journal Printer  
 AD8118B — Universal Printer  
 AD8121A — Dot matrix Printer  
 AD8917 — External Display  
 AD8512 — Digital Comparator  
 AD8951 — Comparator Light

Specifications subject to change for improvement without notice.

# AND

...Clearly a Better Value

### A&D Company, Limited

3-23-14 Higashi-Ikebukuro, Toshima-ku, Tokyo 170-0013 JAPAN  
 Telephone: 81 (3) 5391-6132 Fax: 81 (3) 5391-6148  
 http://www.aandd.co.jp

### A&D ENGINEERING, INC.

1555 McCandless Drive, Milpitas, CA. 95035 U.S.A.  
 Telephone: 1 (408) 263-5333 Fax: 1 (408) 263-0119

### A&D MERCURY PTY. LTD.

32 Dew Street, Thebarton, South Australia 5031 AUSTRALIA  
 Telephone: 61 (8) 8352-3033 Fax: 61 (8) 8352-7409

### A&D INSTRUMENTS LTD.

Unit 24/26 Blacklands Way Abingdon Business Park,  
 Abingdon, Oxon OX14 1DY United Kingdom  
 Telephone: 44 (1235) 550420 Fax: 44 (1235) 550485

### German Sales Office

Große Straße 13 b 22926 Ahrensburg, GERMANY  
 Telephone: 49 (0) 4102 459230 Fax: 49 (0) 4102 459231

### A&D KOREA Limited

Manhattan Bldg. 8F, 36-2 Yoido-dong, Youngdeungpo-gu, Seoul, KOREA  
 Telephone: 82 (2) 780-4101 Fax: 82 (2) 782-4280

\* AD4404-ADCC-01-KO1-02b03

# AD-4404

## Check Weighing Indicator

Fast Sampling Speed for Check Weighing Application  
 User Programmable Check-Weighing Mode for Many  
 Specific Requirements - Manual Check-Weighing System  
 and Fully Automatic Check-Weighing System



# AND

...Clearly a Better Value  
 A&D Company, Limited  
 www.aandd.co.jp

# More Choices from New Advanced Weighing Indicator for Numerous Weighing System Applications

## Features

- Easy to get judgment by Hi/OK/Lo or HiHi/Hi/OK/Lo/LoLo Comparator lights with buzzer
- Foreign Material Detection input function is newly added
- Bar graph shows where the weight of an object falls within the OK range
- Built-in timer controls weighing process by signal from an external photoelectric switch or by programmable weight recognition function that is beneficial for transparent objects
- Weight, Accepted Piece, Accumulated Piece count, name of the object weighed, and standard deviation can be displayed at the touch of button
- Up to 100 sets of target (OK weight), Hi, Lo and tare can be stored by individual code number
- 5 digits of Target and 4 digits of Upper and Lower Limit can be set by the front key operation and number of digit and its location can be customized
- Bright and large 13mm (0.52 inch) fluorescent display
- 1/16000 display resolution capability, precise enough for any application
- Sealed keys keep out dust in industrial environments
- 100 times/second fast sampling
- Standard Current Loop output and Standard RS-485
- Full Digital Calibration makes Zero and Span calibration a breeze
- Complete RFI/EMI protection

## Many Features Simplify Operation

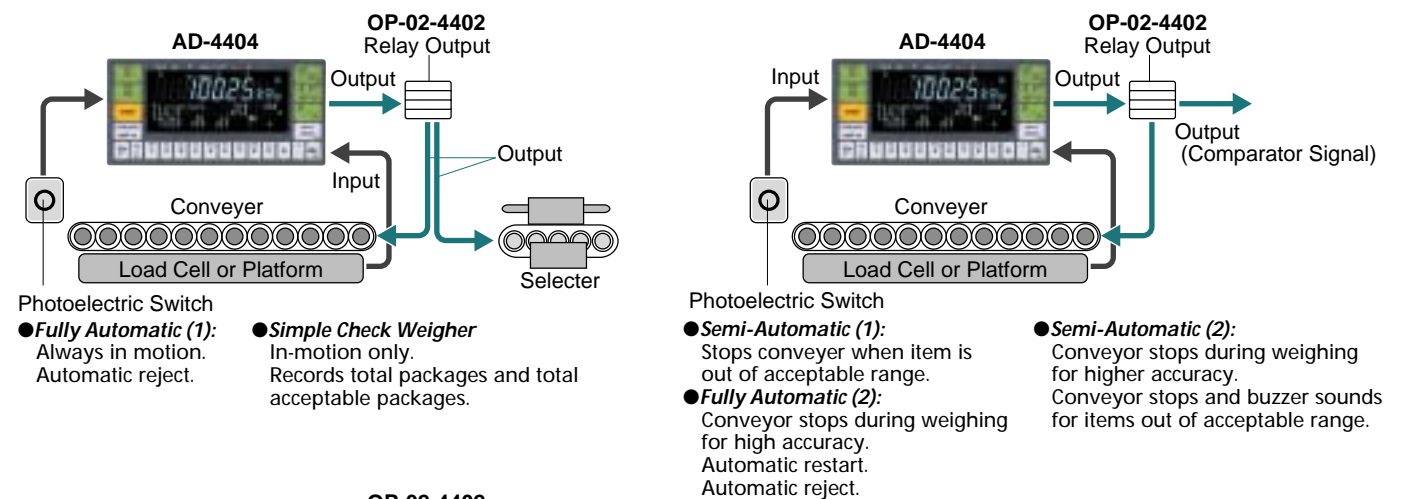
- Display (Default) — Stores and recalls up to 100 sets of pre-set items by individual code number
  - Total number of pieces checked
  - Total number of pieces accepted
  - Target Weight
  - Bar graph indicates deviation from target weight

- Heavy-duty construction
- Easy installation
- Simple calibration
- 11 inputs and 11 open collector output standard
  - Optional Dry contact relay
- Auto Zero Maintenance with adjustable parameters
- Comparator Buzzer
- Front panel key lock out prevents operator tampering
- Fully selectable decimal point positioning
- Programmable Gravity Compensation
- Selectable units of measuring: None, g, kg, t, lbs (USA)



## User Programmable Check-Weighing Modes

Because check-weighing requirements are not the same for everyone, we designed the AD-4404 to be programmable to your specific requirements.



## Rear Panel Descriptions

There are many features, like selectable I/O control terminals, standard RS-485 I/F.

- (1) Load cell input 350Ω L/C up to 8 units Replacement A/D board available Accuracy guaranteed to 1/500
- (2) 3 Options slots – Up to 3 options installed
- (3) External control RS-485 standard, up to 32 units controlled simultaneously
- (4) Programmable Control I/O – Input 11/Output 11
- (5) AC Power 85~250V

