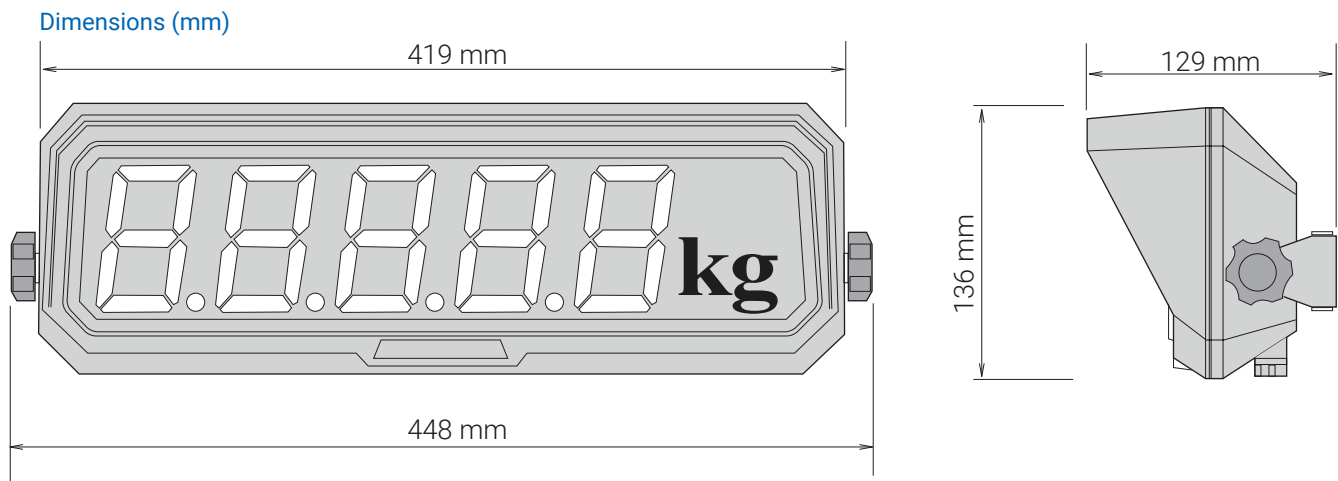


REMOTE DISPLAY (FIVE DIGITS)

Model: TD-3000

General Specifications

- This remote display connects to A&D's balances and scales using either RS-232C or current loop.
- Includes an AC adapter and a communication cable that matches your instrument.
- Clear and bright 75mm LED digits.
- Simple auxiliary display function.
- IP protection rating of IP65.
- Sturdy build construction with engineered plastic.
- Ideal operating temperature range: -20°C ~ 50°C
- Display unit weighs approximately 2.2kg.



* Specifications are subject to change without notice